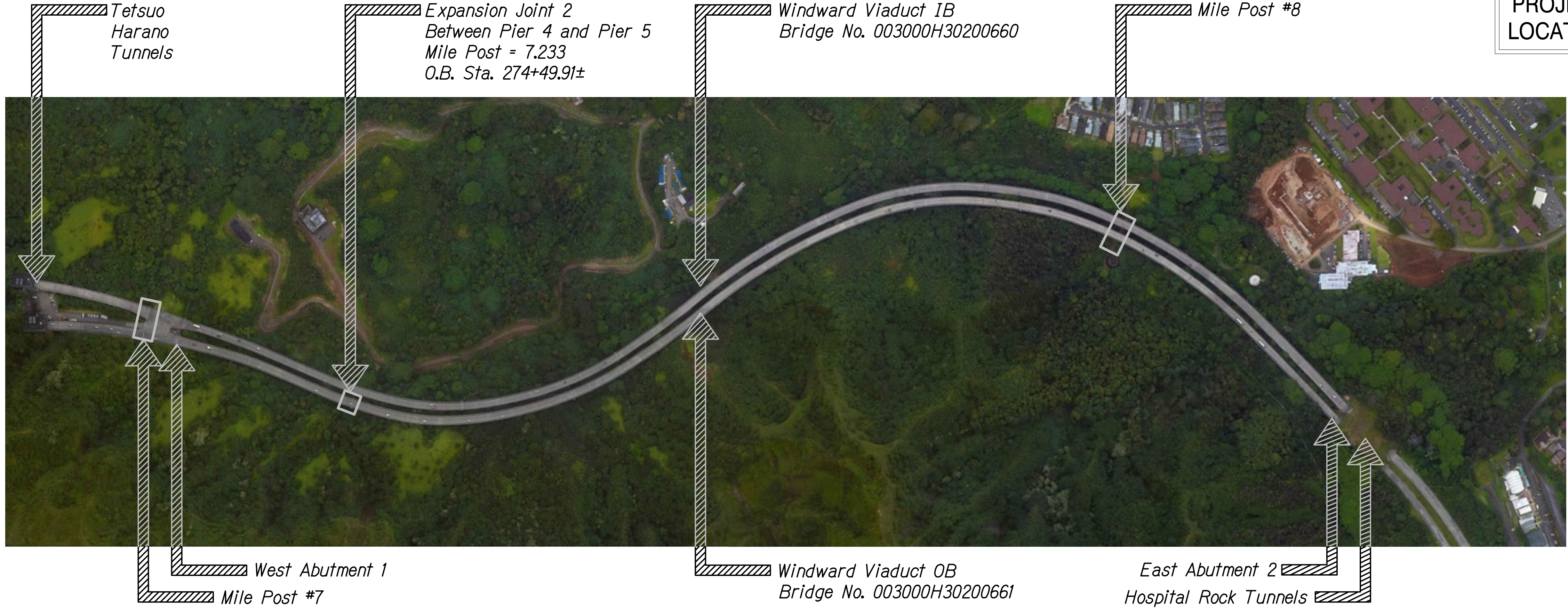
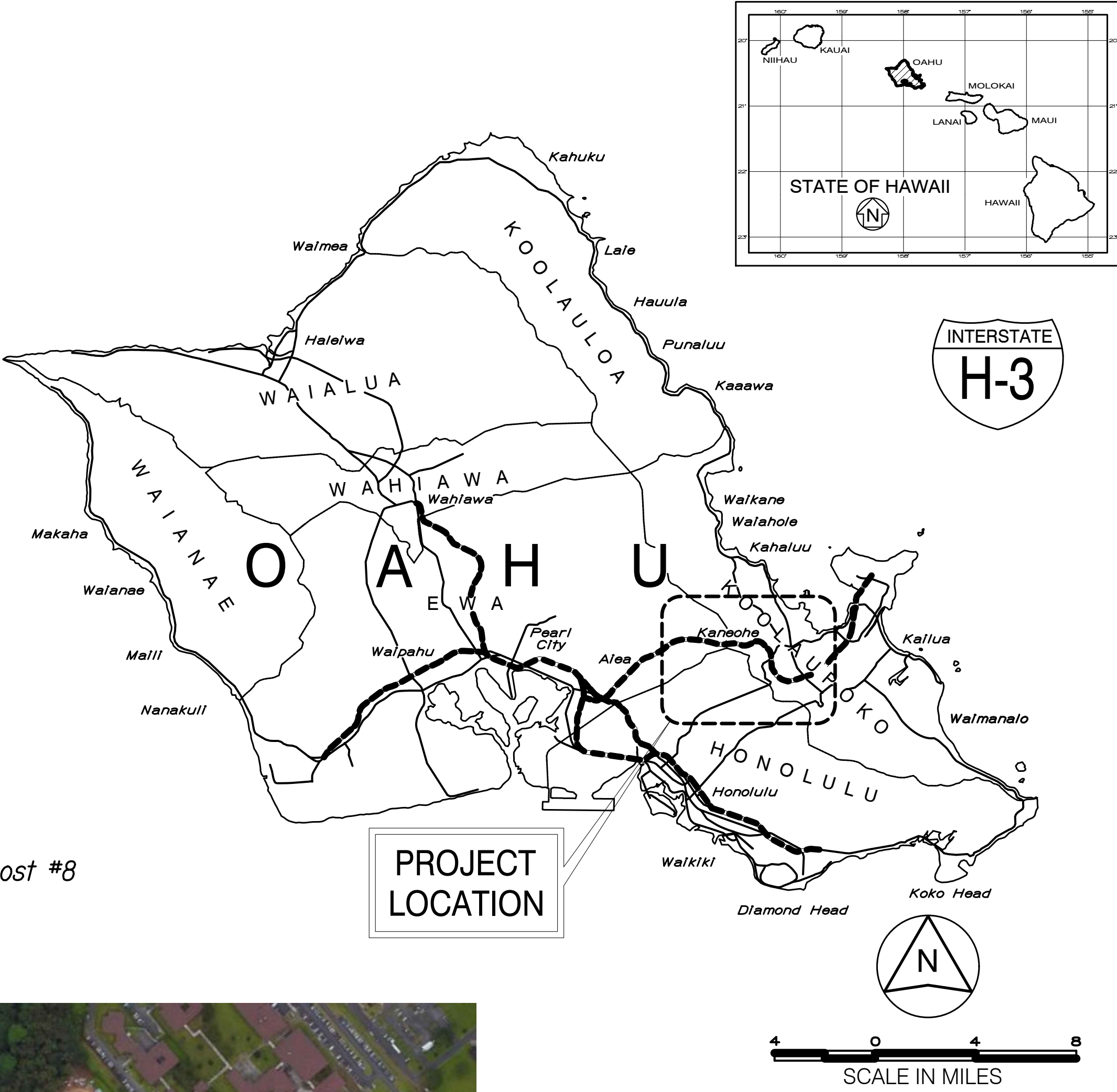


| INDEX TO DRAWINGS |   |
|-------------------|---|
| SHEET NO.         | DESCRIPTION                               |
| 1                 | TITLE SHEET                               |
| 2                 | DEMOLITION PLAN AND SECTION               |
| 3                 | DEMOLITION DETAILS                        |
| 4                 | DEMOLITION PLAN AND SECTION               |
| 5                 | DEMOLITION SECTIONS                       |
| 6                 | EXPANSION JOINT REINFORCEMENT SECTION     |
| 7                 | EXPANSION JOINT REPAIR SECTION AND DETAIL |
|                   |   |
|                   |   |
|                   |   |
|                   |   |
|                   |   |
|                   |   |
|                   |   |

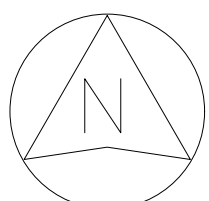
| FED. ROAD DIST. NO. | STATE | PROJ. NO. | FISCAL YEAR | SHEET NO. | TOTAL SHEETS |
|---------------------|-------|-----------|-------------|-----------|--------------|
| HAWAII              | HAW.  | -         | 2025        | 1         | 7            |

STATE OF HAWAII  
DEPARTMENT OF TRANSPORTATION  
HIGHWAYS DIVISION  
HONOLULU, HAWAII

PLANS FOR  
**INTERSTATE ROUTE H-3**  
REPLACEMENT OF WINDWARD VIADUCT  
EXPANSION JOINT 2  
O.B. STA. 274+49.91 ±  
DISTRICT OF KO'OLAUPOKO  
ISLAND OF OAHU



DESIGNED BY \_\_\_\_\_ HWY-DB \_\_\_\_\_ DATE DEC. 2025  
P. S. & E. BY \_\_\_\_\_ PHONE (808) 692-7611

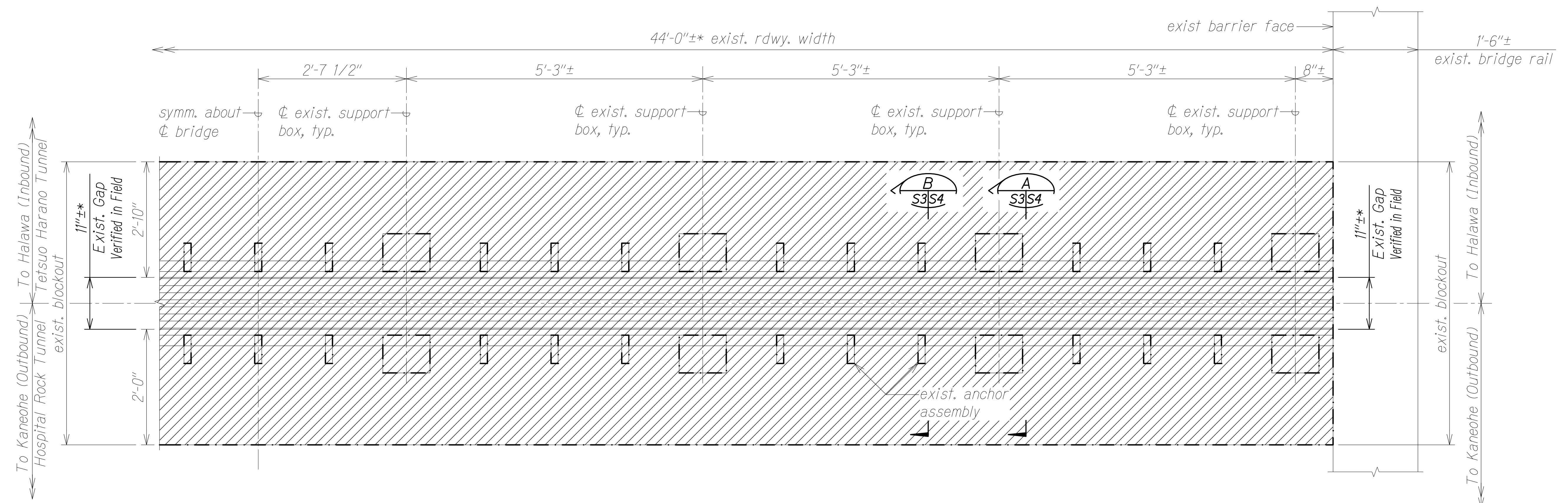


**LAYOUT PLAN**  
NOT TO SCALE





| FED. ROAD DIST. NO. | STATE | PROJ. NO.  | FISCAL YEAR | SHEET NO. | TOTAL SHEETS |
|---------------------|-------|------------|-------------|-----------|--------------|
| HAWAII              | HAW.  | XXX-XX-XXX | 2025        | 4         | 7            |



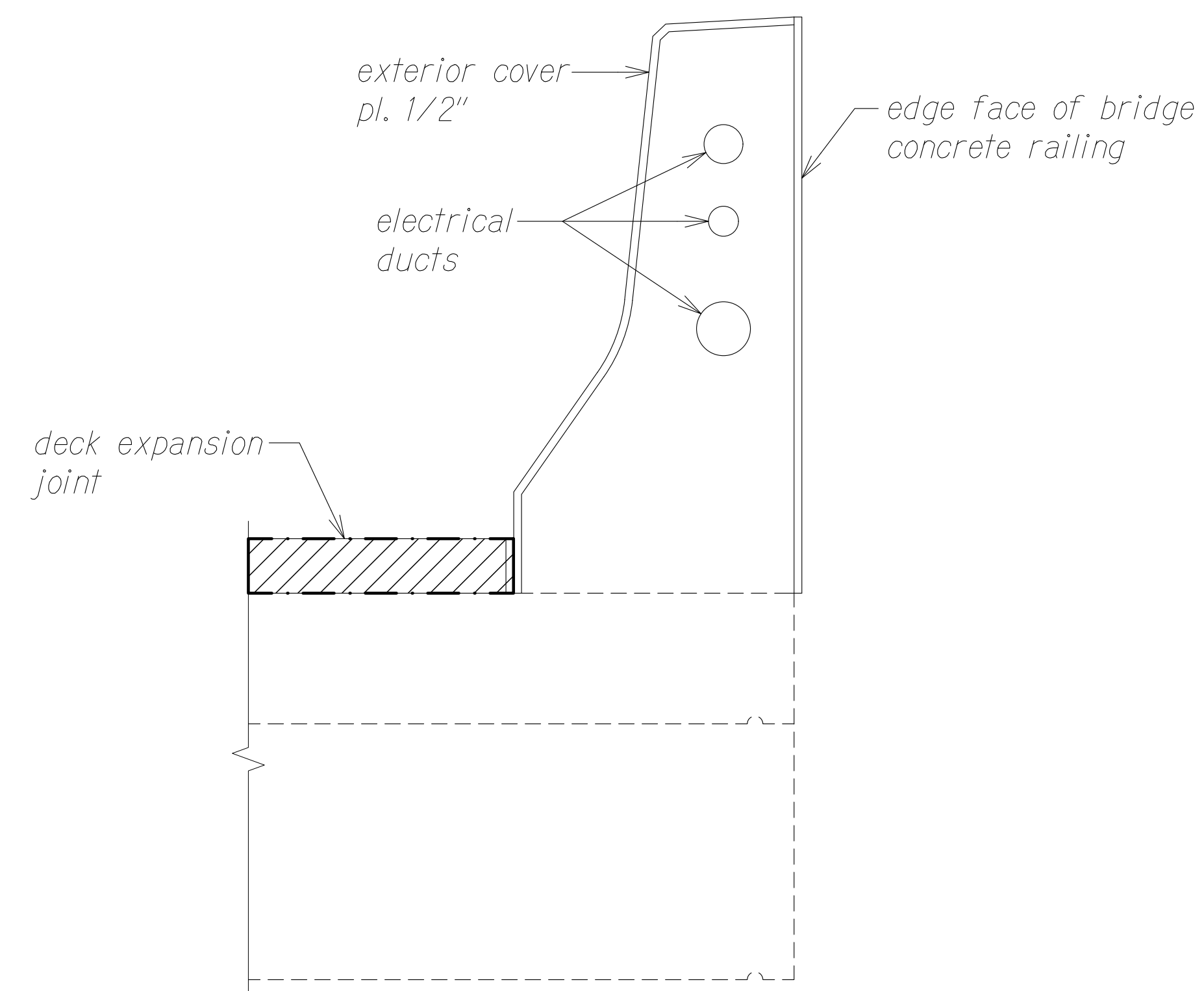
**PLAN - EXISTING EXPANSION JOINT**  
Scale: 1" = 1'-0"

**NOTE:**

See Sheets S1 and S2 for additional items to be demolished and removed.

**LEGEND:**

 Indicates Existing Items to be Demolished and Removed



**DECK EXPANSION JOINT SEAL AT RAILING**  
Scale: 1 1/2" = 1'-0"

A S1 S3

|                   |      |
|-------------------|------|
| ORIGINAL PLAN     | DATE |
| SURVEY PLOTTED BY |      |
| DRAWN BY          |      |
| TRACED BY         |      |
| DESIGNED BY       |      |
| QUANTITIES BY     |      |
| CHECKED BY        |      |
| No.               |      |

DRAWING NAME: \\KSF-SRV\CAD DATA\00 ONGOING\24-0251.4 H-3 AND WAKAVALUA EXPNSN JT REPAIR\01 CAD\H-3\12-05-25 RVS\2.42\H32-S0003 EXP JT PLAN.DWG PLOT TIME: 12-05-25, 2:45 PM

STATE OF HAWAII  
DEPARTMENT OF TRANSPORTATION  
HIGHWAYS DIVISION

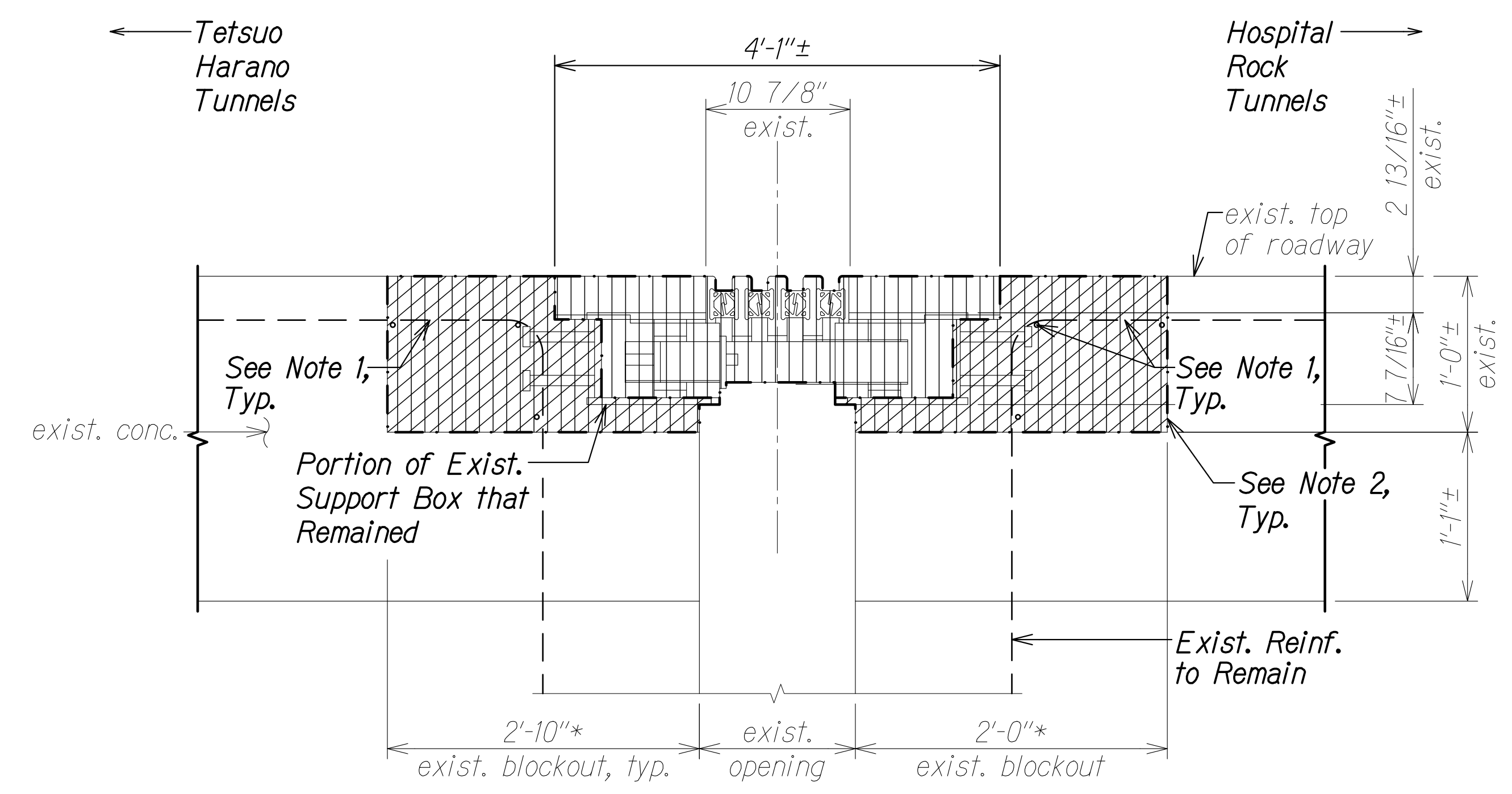
**DEMOLITION PLAN AND SECTION**

REPLACEMENT OF WINDWARD VIADUCT  
Expansion Joint 2 @ O.B. Sta. 274+49.91±  
Project No. xxx-xx-xxx

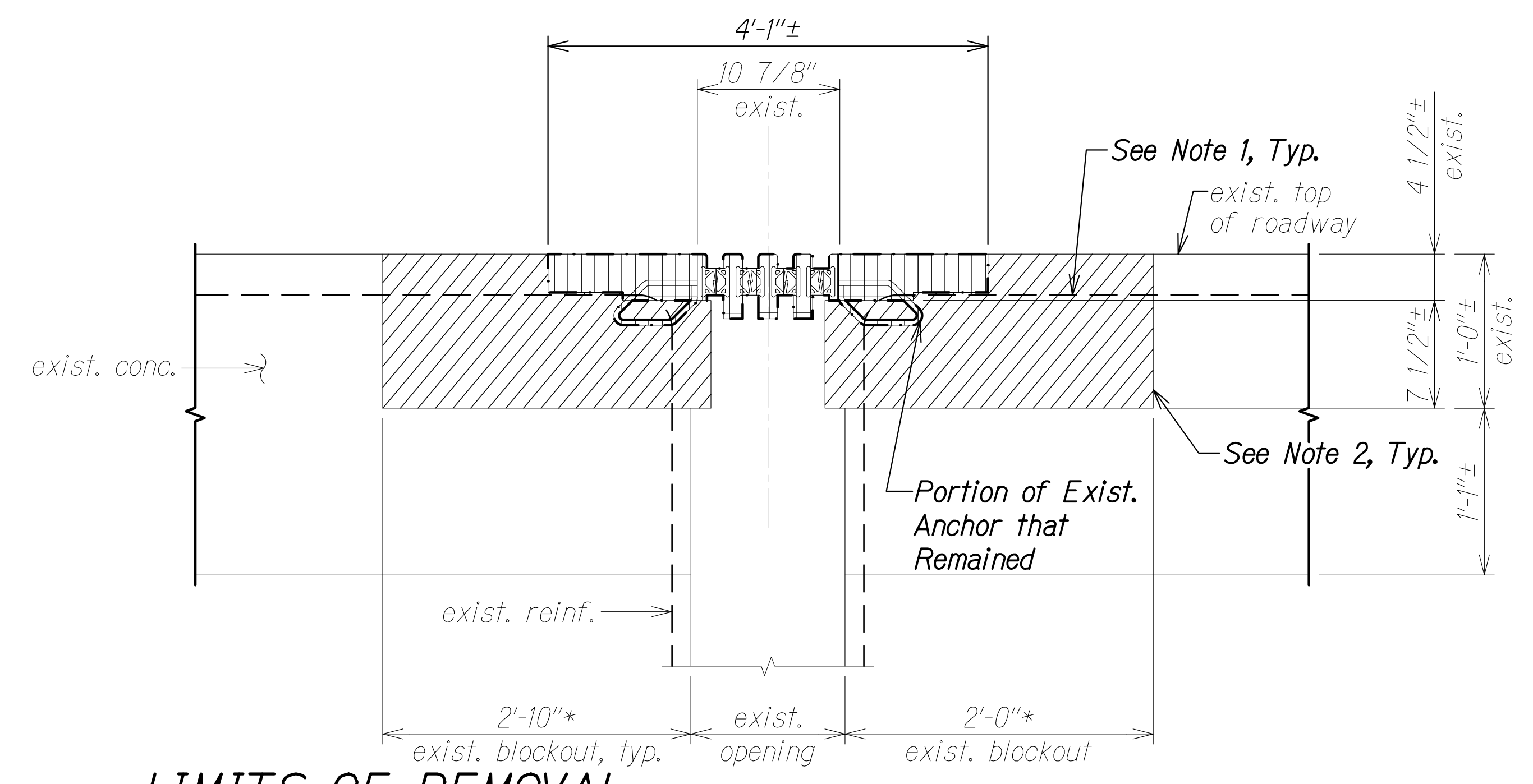
Scale: As Noted Date: Dec. 2025

SHEET No. S3 OF 6 SHEETS

| FED. ROAD DIST. NO. | STATE | PROJ. NO.  | FISCAL YEAR | SHEET NO. | TOTAL SHEETS |
|---------------------|-------|------------|-------------|-----------|--------------|
| HAWAII              | HAW.  | XXX-XX-XXX | 2025        | 5         | 7            |



**LIMITS OF REMOVAL**  
**AT EXISTING EXPANSION JOINT SUPPORT BOX** A  
 Scale: 1" = 1'-0" S3 | S4



**LIMITS OF REMOVAL**  
**AT EXISTING EXPANSION JOINT ANCHOR ASSEMBLY** B  
 Scale: 1" = 1'-0" S3 | S4

**LEGEND:**

Indicates Items Demolished and Removed in Previous Joint Replacement Project

Indicates Existing Blockout and Portions of Existing Expansion Joint (That Remained From Previous Joint Replacement Project) to be Demolished and Removed

- NOTES:**
1. All existing reinforcing shall remain in place unless otherwise directed by the Engineer. Do not damage reinforcing to remain in any way. Transverse rebars (parallel with joint and shown as  $\circ$ ), may be temporarily moved to install new reinforcing. Place these bars in original position.
  2. Saw cut 1" max. depth at edge of existing blockout. Remove existing blockout and overlay concrete with a 15 lb. max. chipping gun.

|                   |       |
|-------------------|-------|
| DATE              | _____ |
| SURVEY PLOTTED BY | _____ |
| ORIGINAL PLAN     | _____ |
| DESIGNED BY       | _____ |
| TRACED BY         | _____ |
| NOTE BOOK         | _____ |
| QUANTITIES BY     | _____ |
| CHECKED BY        | _____ |
| No.               | _____ |

DRAWING NAME: \\KSF-SRV\CAD\DATA\00 ONGOING\24-02514 H-3 AND WAKAVALUA EXPNSN JT REPAIR\01 CAD\H-3\12-05-25 RYSD JT.02 SITE 2.dwg\H32-S0004 DEMO.DWG PLOT TIME: 12-05-25, 2:45 PM

STATE OF HAWAII  
 DEPARTMENT OF TRANSPORTATION  
 HIGHWAYS DIVISION

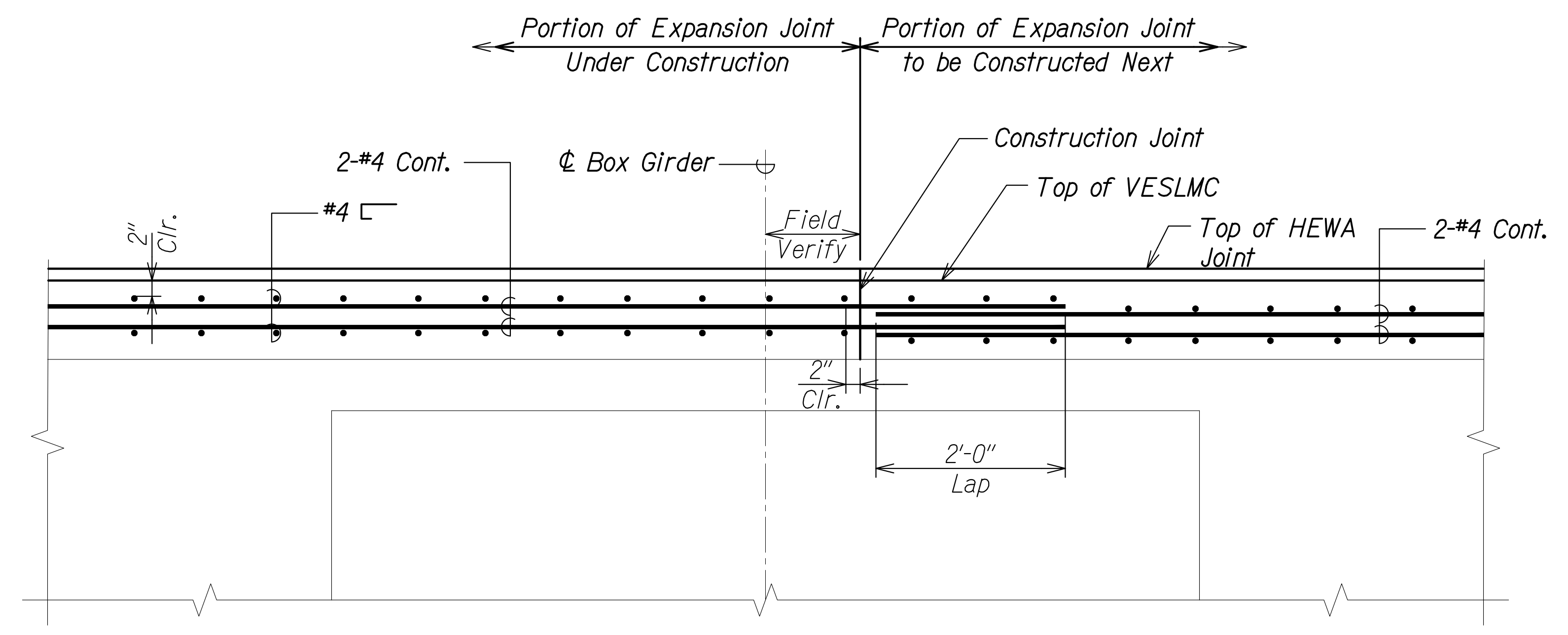
**DEMOLITION SECTIONS**

**REPLACEMENT OF WINDWARD VIADUCT**  
 Expansion Joint 2 @ O.B. Sta. 274+49.91±  
 Project No. xxx-xx-xxx

Scale: As Noted Date: Dec. 2025

SHEET No. S4 OF 6 SHEETS

| FED. ROAD DIST. NO. | STATE | PROJ. NO.  | FISCAL YEAR | SHEET NO. | TOTAL SHEETS |
|---------------------|-------|------------|-------------|-----------|--------------|
| HAWAII              | HAW.  | XXX-XX-XXX | 2025        | 6         | 7            |



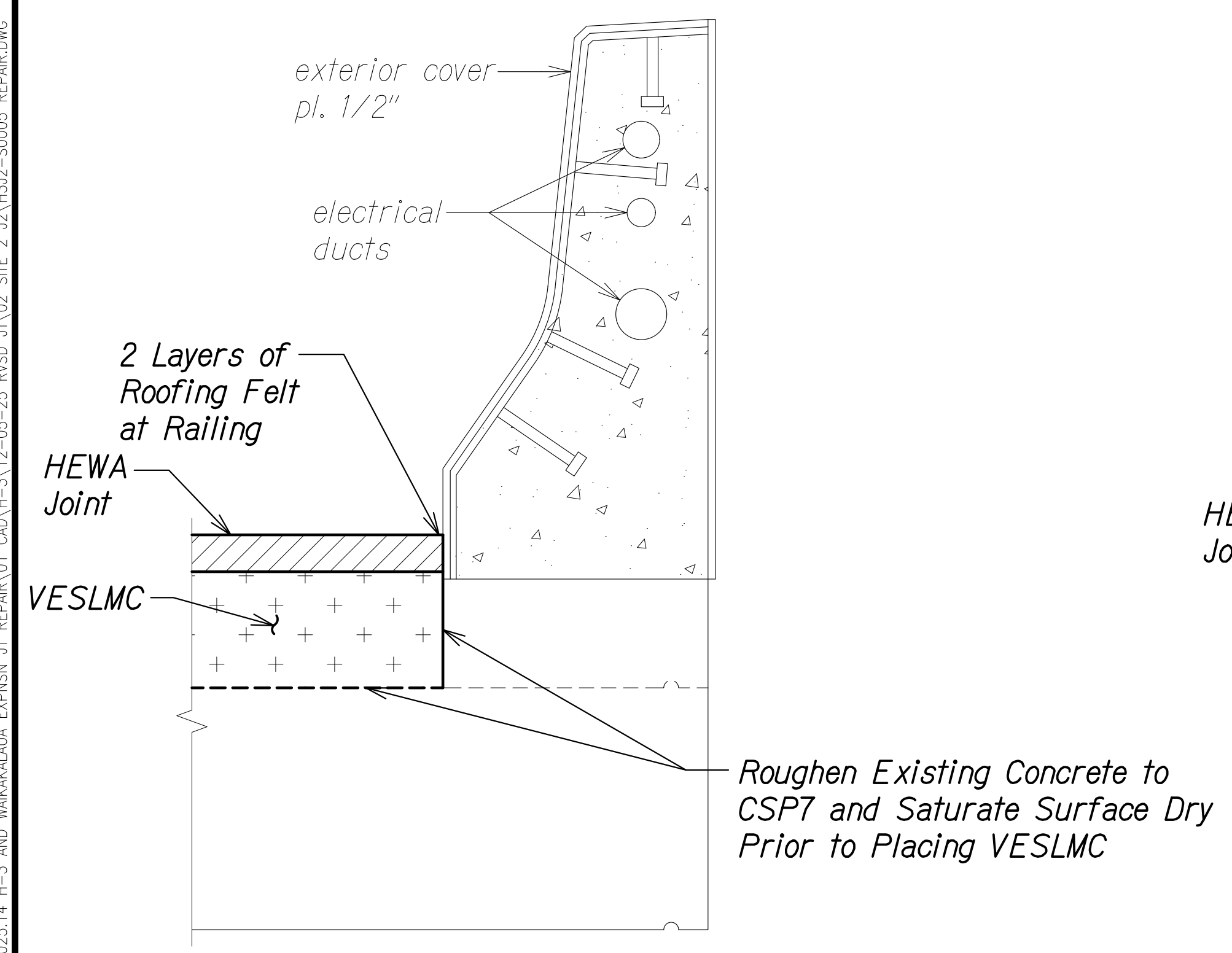
**TYPICAL TRANSVERSE SECTION A**  
NTS S6 | S5

**NOTES:**

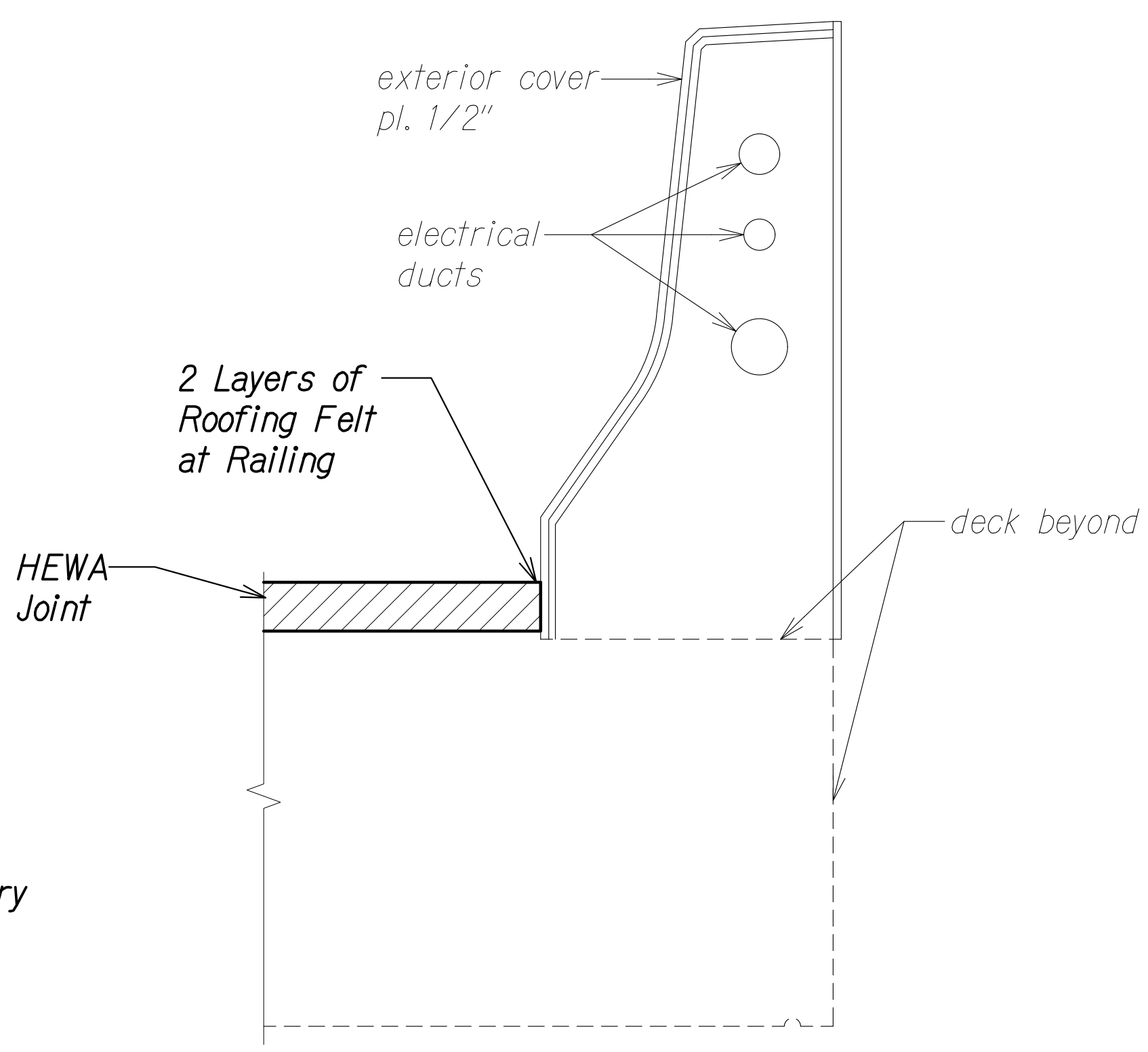
1. Reinforcing bars shall be ASTM A706 Grade 60.
2. Contractor shall submit locations of construction joints.

DRAWING NAME: \\KSF-SVR\CAD\DATA\00 ONGOING\24-02514 H-3 AND WAKAVALUA EXPNSN JT REPAIR\01 CAD\H-3\12-05-25 RYSD JT\02 SITE 2 42\H32-S0005 REPAIR.DWG PLOT TIME: 12-05-25 2:53 PM

|                   |      |
|-------------------|------|
| ORIGINAL PLAN     | DATE |
| SURVEY PLOTTED BY |      |
| DRAWN BY          |      |
| DESIGNED BY       |      |
| QUANTITIES BY     |      |
| CHECKED BY        |      |
| No.               |      |



**SECTION AT VESLMC B**  
Scale: 1 1/2" = 1'-0" S5 | S5



**SECTION AT JOINT C**  
Scale: 1 1/2" = 1'-0" S5 | S5

STATE OF HAWAII  
DEPARTMENT OF TRANSPORTATION  
HIGHWAYS DIVISION

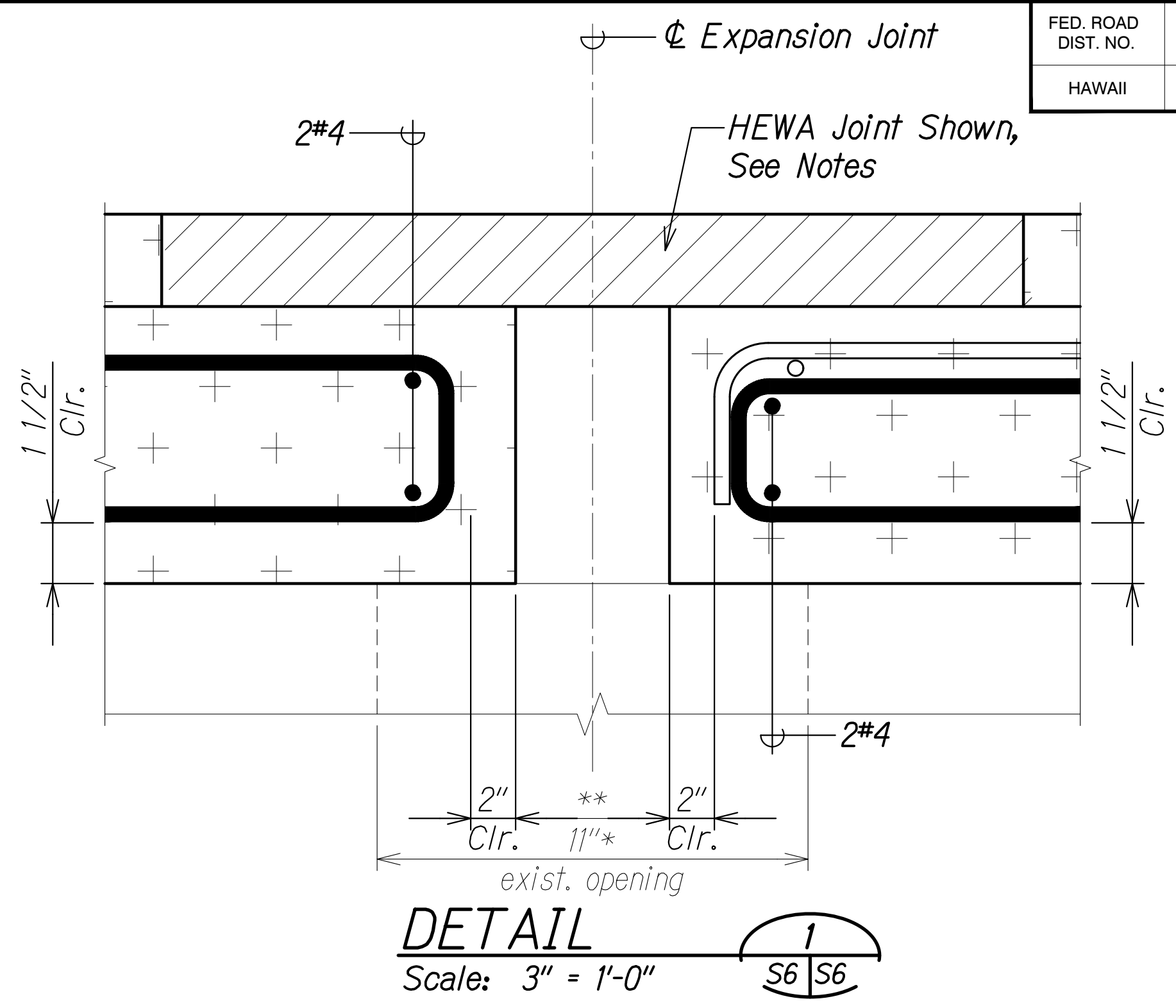
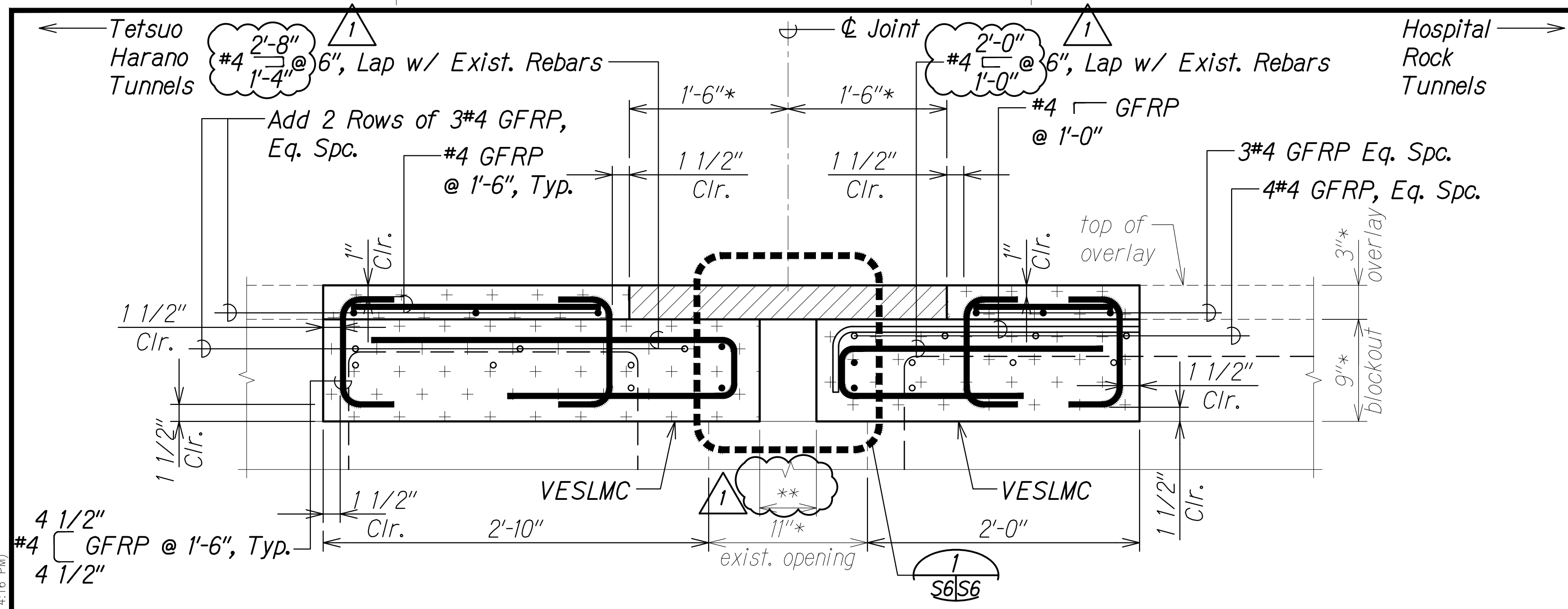
**EXPANSION JOINT REINFORCING SECTION**

**REPLACEMENT OF WINDWARD VIADUCT**  
Expansion Joint 2 @ O.B. Sta. 274+49.91±  
Project No. xxx-xx-xxx

Scale: As Noted Date: Dec. 2025

SHEET No. S5 OF 6 SHEETS

|                     |       |            |             |           |              |
|---------------------|-------|------------|-------------|-----------|--------------|
| FED. ROAD DIST. NO. | STATE | PROJ. NO.  | FISCAL YEAR | SHEET NO. | TOTAL SHEETS |
| HAWAII              | HAW.  | XXX-XX-XXX | 2025        | ADD. 7    | 7            |



**NOTES:**

- The Contractor shall replace the existing transverse deck joint over the existing roadway width from face of existing Mauka barrier to face of existing Makai barrier.
- The expansion joint may be HEWA HJ120 Hybrid Polymer Joint, D.S. Brown A2R-400 with SSCM2 rail or approved equal.
- Very Early Strength Latex Modified Concrete (VESLMC) shall be Fastrac 246.
- The Contractor shall submit shop drawings for the expansion joint system, including any alterations to the VESLMC and reinforcing, for approval.
- The Contractor shall follow all instructions from the expansion joint Manufacturer and the VESLMC Supplier.

1 6. The expansion joint shall allow for a horizontal movement of +2" (opening @ 55°F) and -2" (closing @ 95°F) for a total allowable movement of 4".

- Any roadway surface gap in the transverse deck joint, measured in the direction of travel at the maximum movement shall be limited to 4".
- Existing concrete substrate shall be roughened to CSP7 and be saturated surface dry prior to placing VESLMC. Any exposed rebar shall be cleaned and the repair area shall be free of laitance and debris.
- All existing reinforcing shall remain in place unless otherwise directed by the Engineer. Do not damage reinforcing to remain in any way. Transverse rebars (parallel with joint and shown as  $\circ$ ), may be temporarily moved to install new reinforcing. Place these bars in original position. If the transverse rebars are cut, provide 2'-0" min. lap to each side of rebar.
- If cover is greater than 3", add #4  $\frac{2'-10''}{@ 1'-0''}$   $\phi$  4-#4 GFRP transverse.

**SECTION A**  
Scale: 1 1/2" = 1'-0"

**DETAIL**  
Scale: 3" = 1'-0"

**LEGEND:**

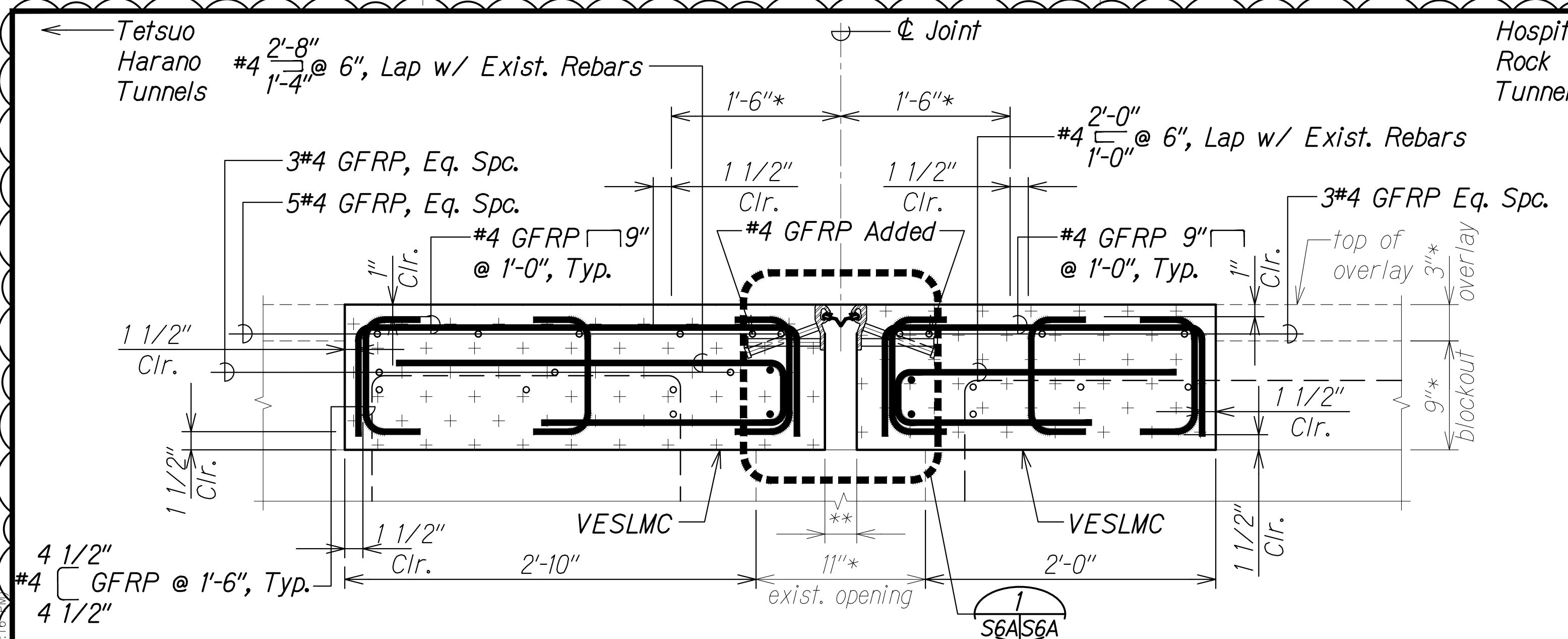
- \* Indicates dimensions to be verified by the Contractor
- \*\* See Notes 4 through 7
- HEWA Joint shown, See Notes
- VESLMC, Very Early Strength Latex Modified Concrete (Fastrac 246)

|                   |       |
|-------------------|-------|
| DATE              | _____ |
| SURVEY PLOTTED BY | _____ |
| DRAWN BY          | _____ |
| DESIGNED BY       | _____ |
| QUANTITIES BY     | _____ |
| CHECKED BY        | _____ |
| NO.               | _____ |

DRAWING NAME: \\KSF-SRV\CAD DATA\00 ONGOING\24-025\14 H-3 AND WAKAVALAUA EXPNSN JT REPAIR\01 CAD\H-3\12-22-25 ADD1\02 SITE 2.dwg H3J2-50006 RPR DETS ADD1.DWG PLOT TIME: 12-22-25 4:16 PM

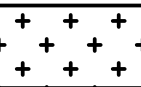
|  |          |          |   |
|--|----------|----------|---|
| DATE   | 12/22/25 | REVISION | 1 ADD. 1 - Revised Detail, Notes & Legend |
| STATE OF HAWAII<br>DEPARTMENT OF TRANSPORTATION<br>HIGHWAYS DIVISION<br><b>EXPANSION JOINT</b><br><b>REPAIR SECTION AND DETAIL</b><br>REPLACEMENT OF WINDWARD VIADUCT<br>Expansion Joint 2 @ O.B. Sta. 274+49.91±<br>Project No. xxx-xx-xxx<br>Scale: As Noted Date: Dec. 2025<br>SHEET No. S6 OF 7 SHEETS |          |          |   |

| FED. ROAD DIST. NO. | STATE | PROJ. NO.  | FISCAL YEAR | SHEET NO.  | TOTAL SHEETS |
|---------------------|-------|------------|-------------|------------|--------------|
| HAWAII              | HAW.  | XXX-XX-XXX | 2025        | ADD. 7 S-1 | 7            |



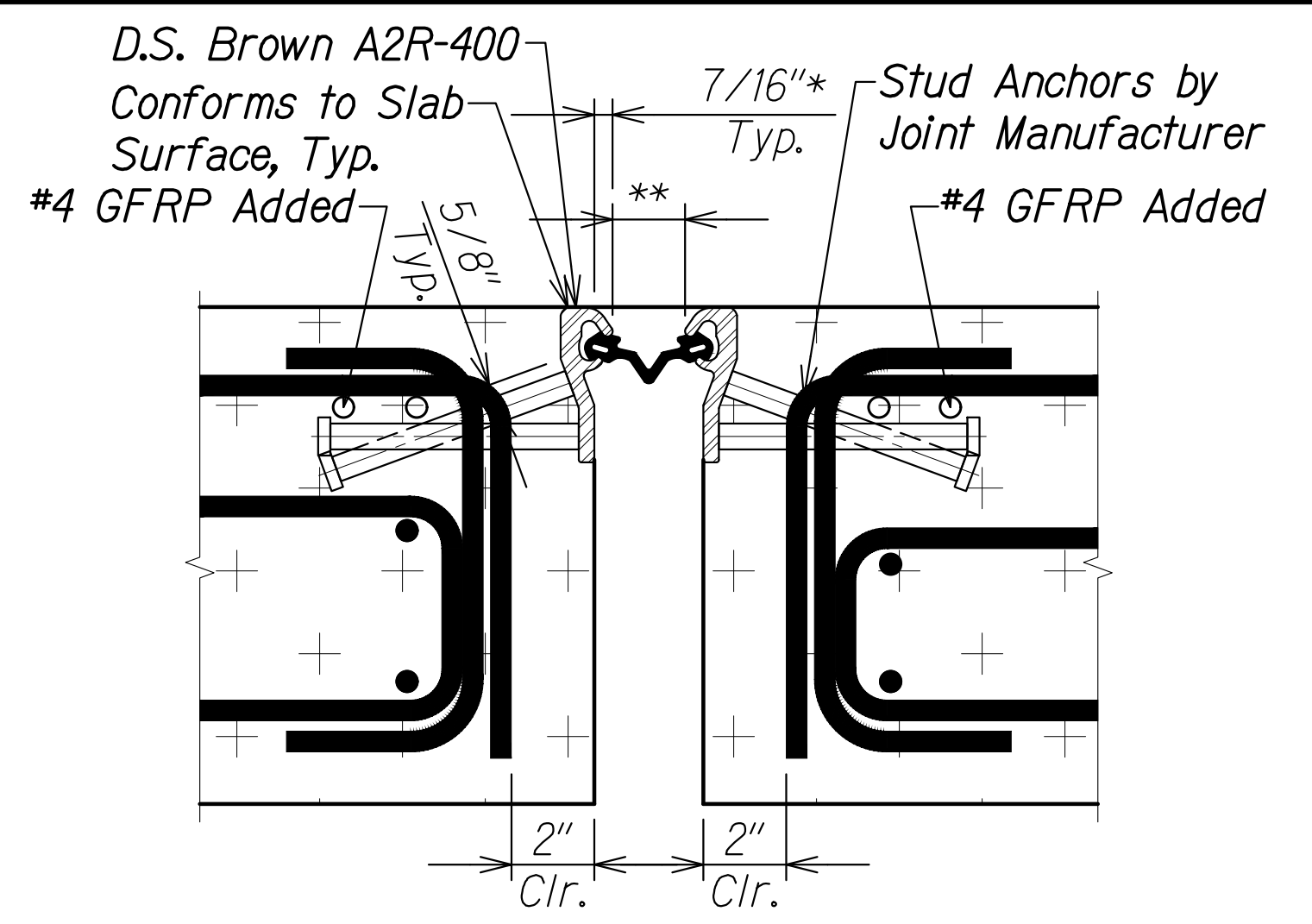
**SECTION A**  
Scale: 1 1/2" = 1'-0"  
S6A | S6A

**LEGEND:**

- \* Indicates dimensions to be verified by the Contractor
- \*\* See Notes 4 through 7 on Sht. S6
-  VESLMC, Very Early Strength Latex Modified Concrete (Fastrac 246)

**NOTE:**

DS Brown A2R-400 joint shown, see notes on Sheet S6.



**SECTION THRU D.S. BROWN A2R-400 JOINTS**  
Scale: 3" = 1'-0"  
S6A | S6A

|               |      |
|---------------|------|
| ORIGINAL PLAN | DATE |
| DRAWN BY      |      |
| TRACED BY     |      |
| DESIGNED BY   |      |
| QUANTITIES BY |      |
| CHECKED BY    |      |
| No.           |      |

|  |   |                    |
|--|---|--------------------|
| 12/22/25   | 1 | ADD. 1 - New Sheet |
| DATE   |   | REVISION           |
| STATE OF HAWAII<br>DEPARTMENT OF TRANSPORTATION<br>HIGHWAYS DIVISION<br><b>EXPANSION JOINT</b><br><b>REPAIR SECTION AND DETAIL</b><br>REPLACEMENT OF WINDWARD VIADUCT<br>Expansion Joint 2 @ O.B. Sta. 274+49.91±<br>Project No. xxx-xx-xxx<br>Scale: As Noted Date: Dec. 2025 |   |                    |
| SHEET No. S6A OF 7 SHEETS  |   |                    |